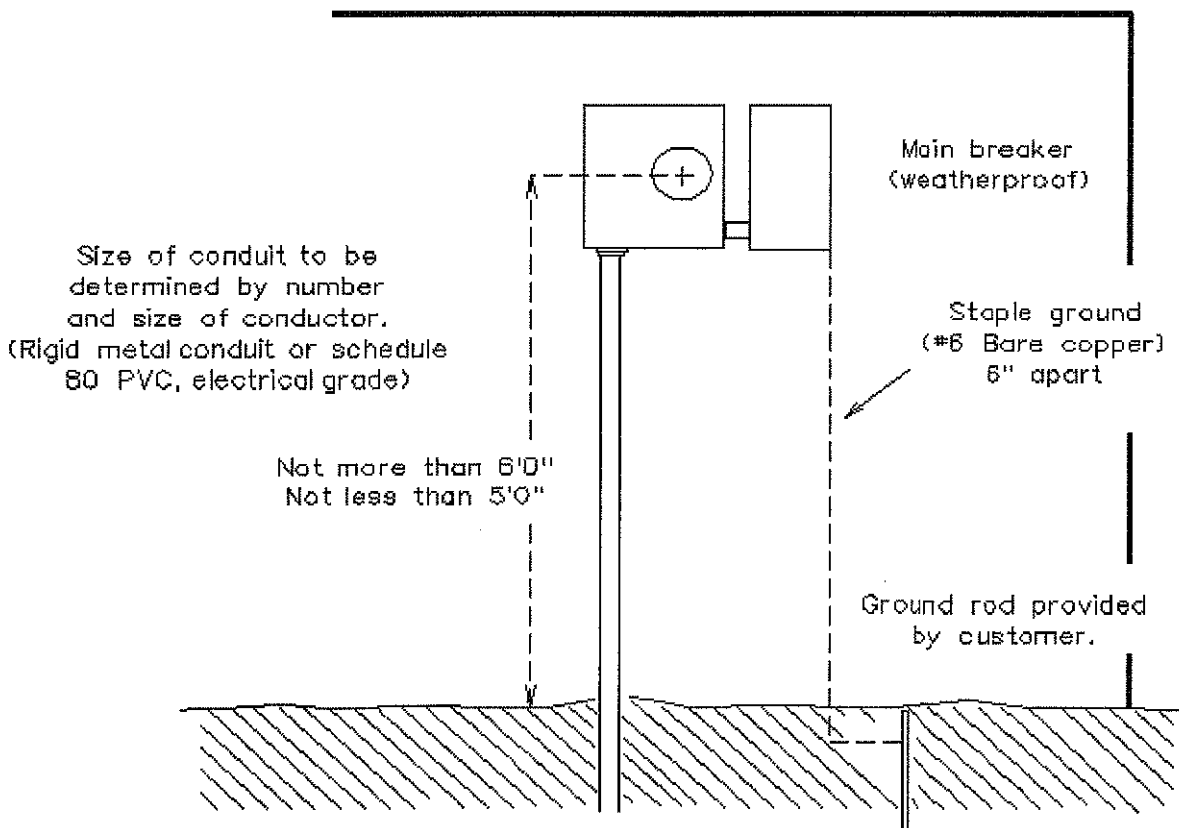
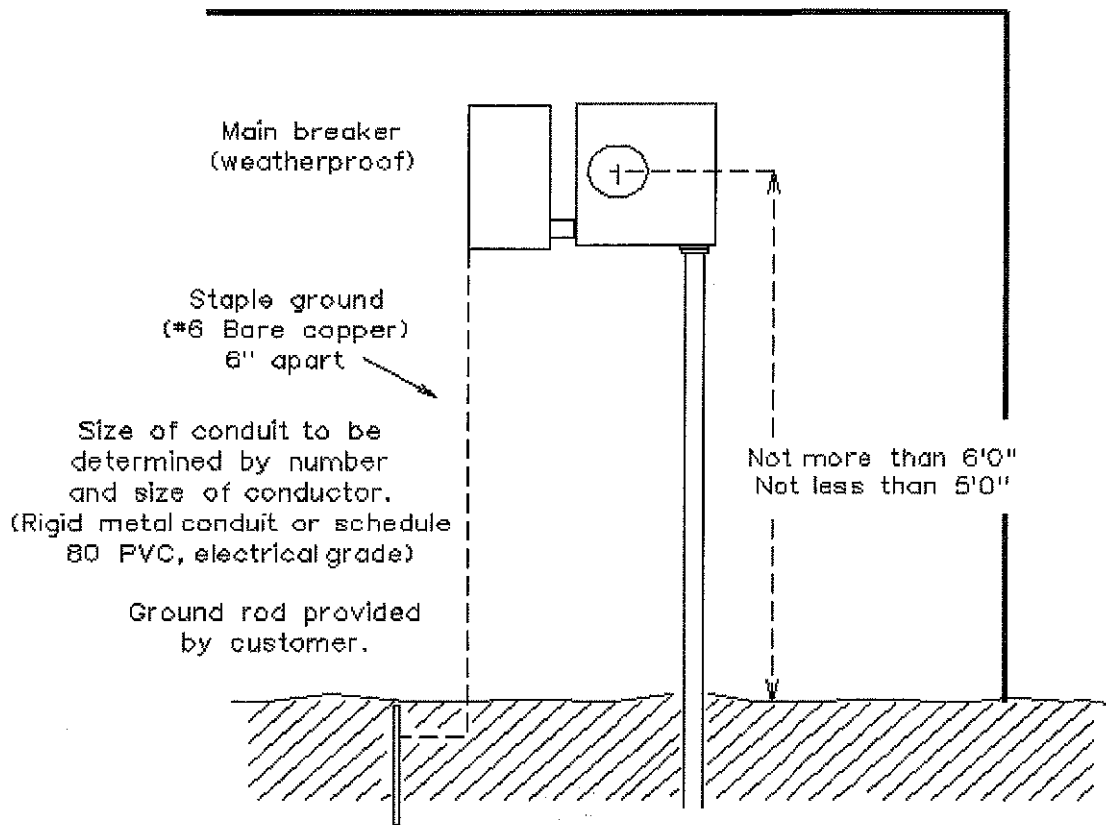
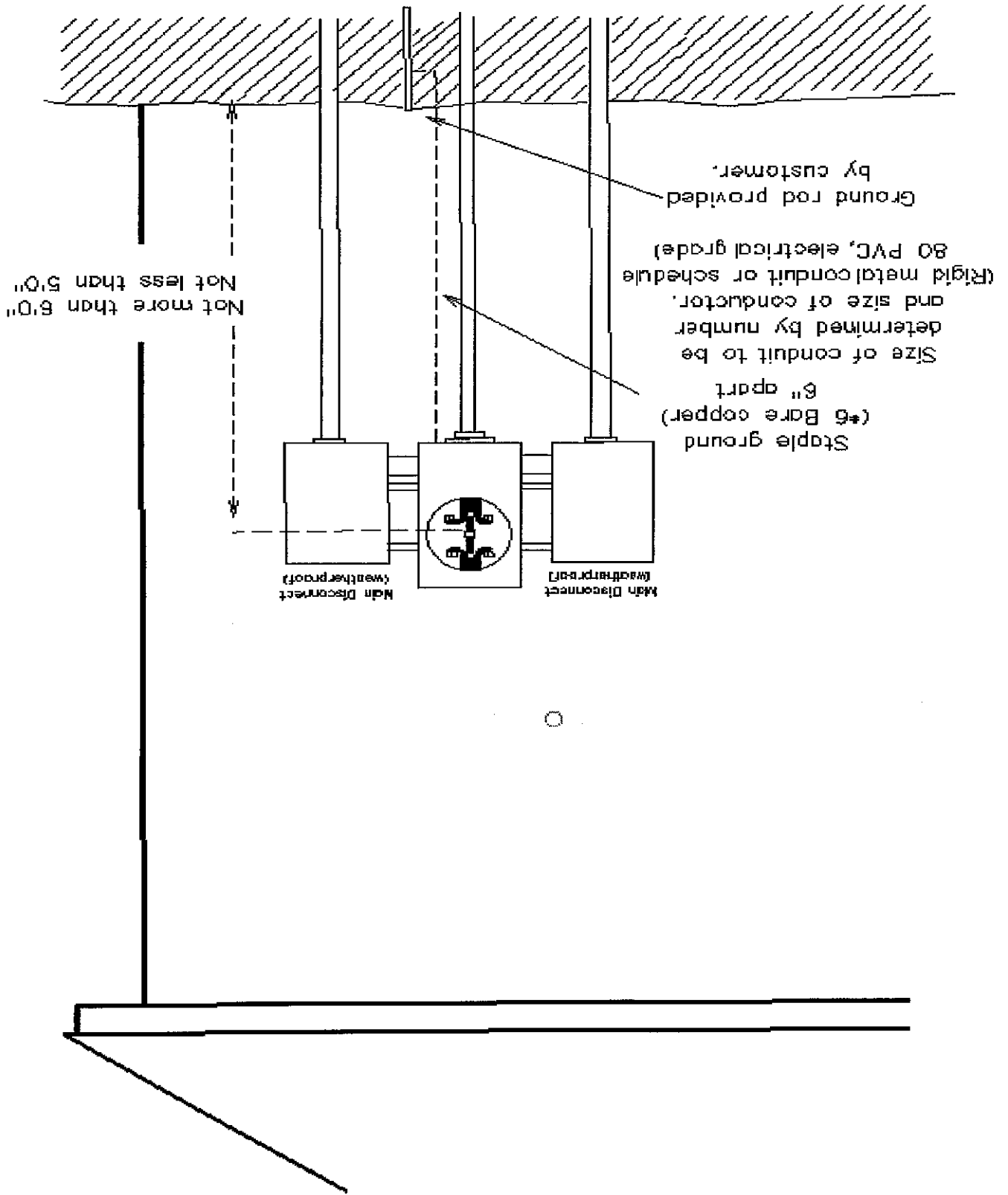
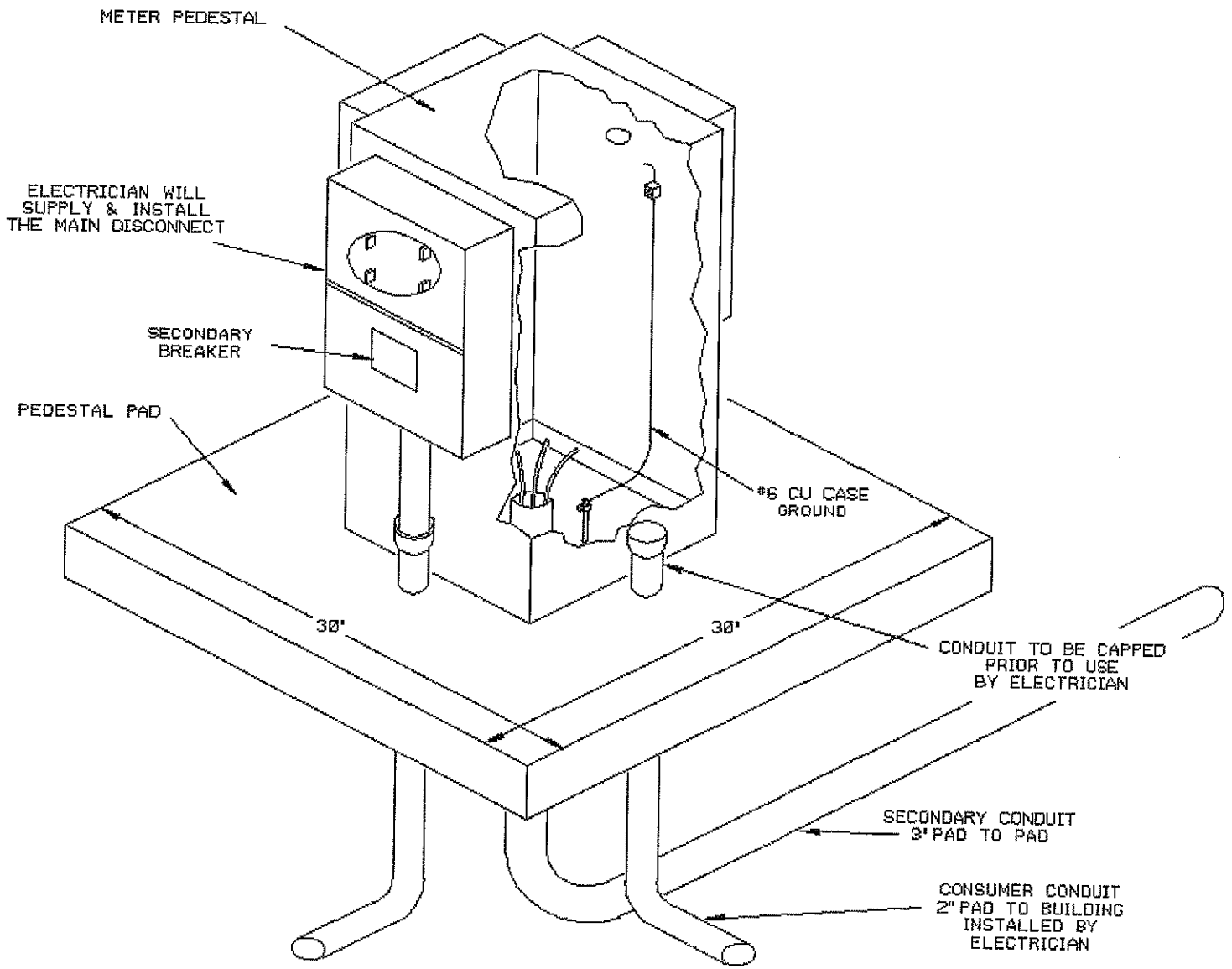


UNDERGROUND SERVICE TO RESIDENTIAL OR COMMERCIAL BUILDING



OVERHEAD SERVICE TO RESIDENTIAL OR COMMERCIAL BUILDING





MP-1R

TYPICAL METERING PEDESTAL DETAIL
WITH GROUND ROD

400 AMP RES/COMM. METER PEDESTAL

METER PEDESTAL

NO MAIN DISCONNECT WILL BE MOUNTED ON ACCESS PANEL

ELECTRICIAN WILL SUPPLY & INSTALL THE MAIN DISCONNECT (1.) MAXIMUM OF 2 - 200 AMP DISCONNECTS

ELECTRICIAN WILL SUPPLY & INSTALL THE MAIN DISCONNECT (1.) MAXIMUM OF 2 - 200 AMP DISCONNECTS

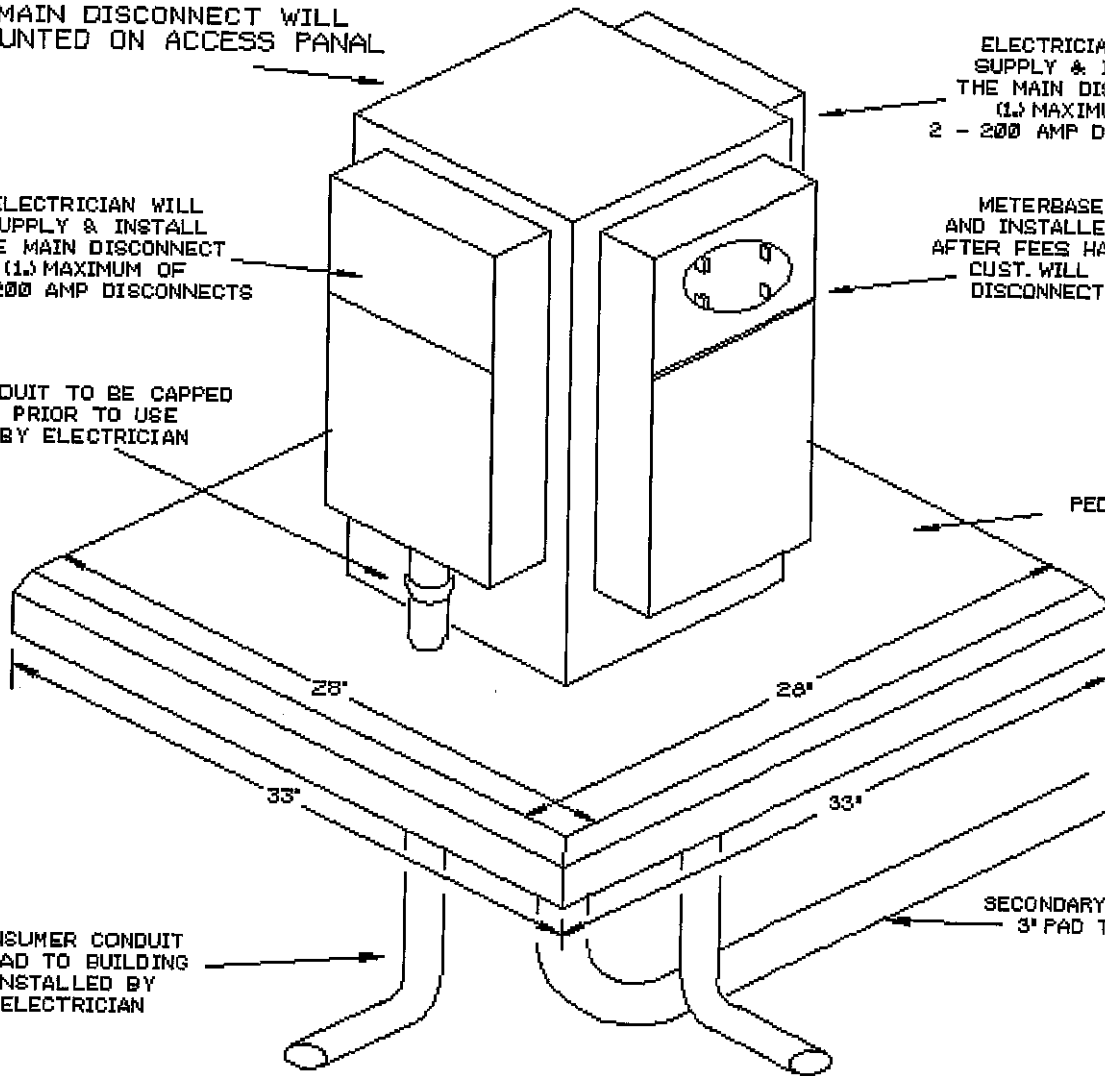
METERBASE SUPPLIED AND INSTALLED BY C.T.E.C. AFTER FEES HAVE BEEN PAID CUST. WILL NOT MOUNT DISCONNECTS ON BASE

CONDUIT TO BE CAPPED PRIOR TO USE BY ELECTRICIAN

PEDESTAL PAD

CONSUMER CONDUIT 2' PAD TO BUILDING INSTALLED BY ELECTRICIAN

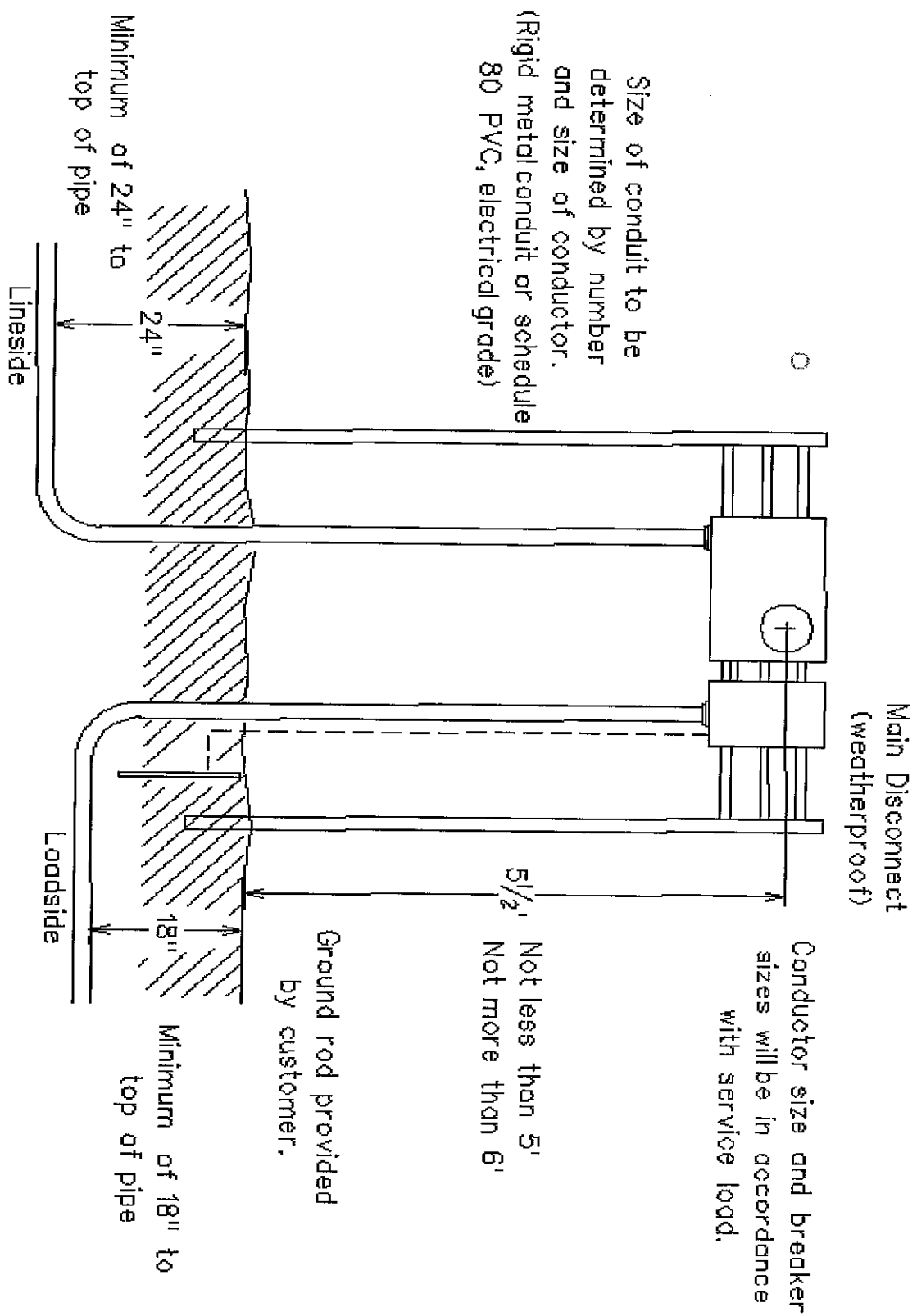
SECONDARY CONDUIT 3' PAD TO PAD



MP-1R

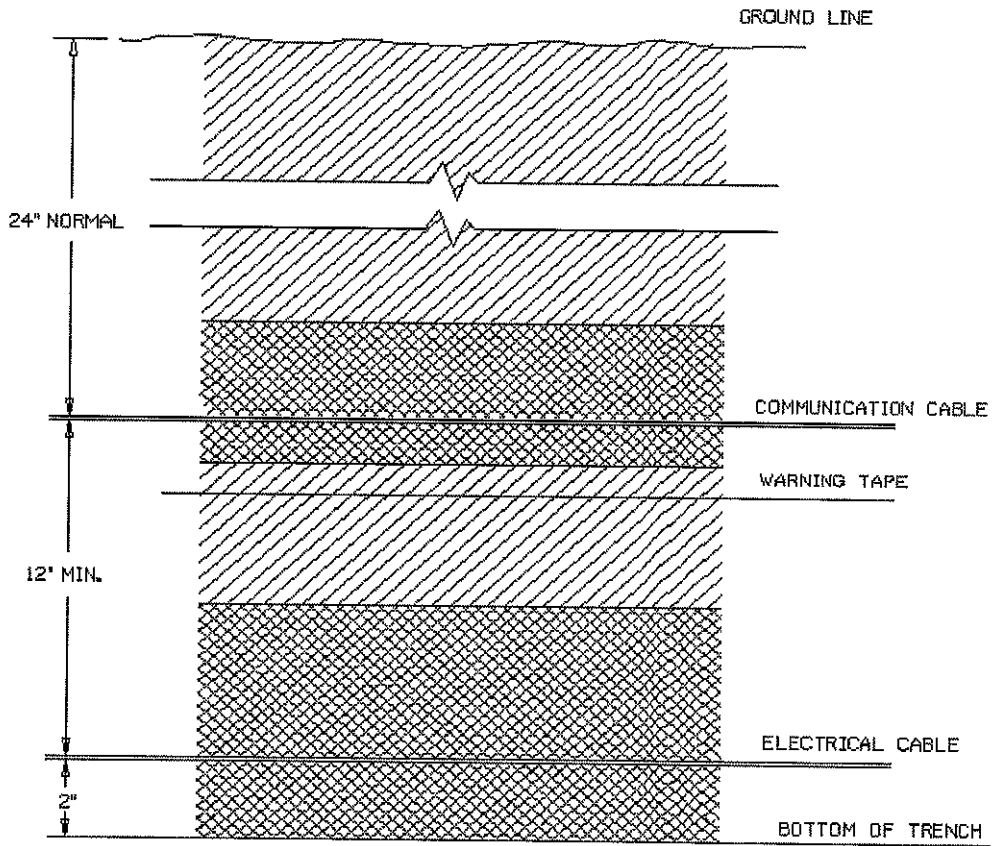
TYPICAL METERING PEDESTAL DETAIL
WITH GROUND ROD

UNDERGROUND SERVICE RACK TO RESIDENTIAL OR COMMERCIAL BUILDING


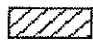
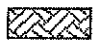


TYPICAL BURIAL HIERARCHY
OF URD UTILITIES

PROFILE VIEW



LEGEND

-  BEDDING SAND OR CLEAN SOIL
-  COMPACTED BACKFILL UNLESS OTHERWISE SPECIFIED
-  UNDISTURBED EARTH

TYPICAL TRENCH DETAIL
ELECTRICAL W/ CATV & TELEPHONE

TRENCH CROSS SECTION

